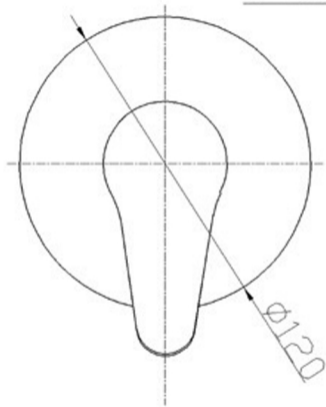
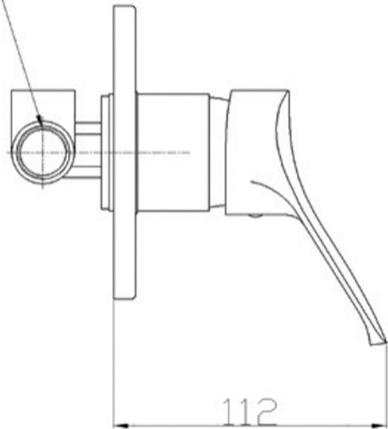


3-G1/2



$\varnothing 120$



112